



Mitjet International

# Doors EVO kit for 2L instructions manual

03/03/2022

- Kit Evo door for 2L nomenclature ..... 3
- Screw and bolt Kit nomenclature ..... 4
- Nomenclature and technical drawings ..... 5
- Door EVO kit assembly ..... 13
  - Hinge gooseneck bracket assembly ..... 13
  - Door damper assembly ..... 15
  - Assembly door lock support plate..... 17
  - Inside door panel cut and drill (CC3029 on the left) (CC3030 on the right)..... 18
  - Door handle positioning ..... 19
  - C clamp D40 assembly (TAR257) ..... 20
  - Door closing plate assembly..... 20
  - Door check strap assembly ..... 21
  - Door lock assembly ..... 22
  - Door handle cable stop assembly ..... 24
  - Cutting hole for door opening plate (CC3047 on the left) (CC3048 on the right) ..... 25
  - Door and door panel sticking ..... 26
  - Door opening plate assembly..... 27
  - Hand door damper support bracket (CC242A) and support plate (CC241A) assembly ..... 28
  - Door adjustment ..... 29
  - Drill and assembly the door screen (CC3006 on the left) (CC3005 on the right) ..... 32
  - Wing mirror assembly (CC3008A or CC3007A) ..... 34

|  |    |
|--|----|
| Figure 1: Right door technical drawing .....   | 5  |
| Figure 2: Right door nomenclature .....  | 6  |
| Figure 3: Right door hinge bracket technical drawing and nomenclature.....           | 7  |
| Figure 4: Left door technical drawing.....   | 8  |
| Figure 5: Left door nomenclature .....   | 9  |
| Figure 6: Left door hinge gooseneck bracket technical drawing and nomenclature ..... | 10 |
| Figure 7: Cut off switch pull handle technical drawing and nomenclature .....        | 11 |
| Figure 8: Door lock plate technical drawing and nomenclature .....                   | 12 |
| Figure 9: Old hinge gooseneck bracket with the strut .....                           | 13 |
| Figure 10: Door hinge bracket and hand door damper support bracket .....             | 13 |
| Figure 11: New hinge gooseneck bracket with old strut.....                           | 14 |
| Figure 12: Hinge gooseneck bracket assembly with door hinge bracket.....             | 14 |
| Figure 13: Damper assembly .....   | 15 |
| Figure 14: Damper without ball joint .....   | 15 |
| Figure 15: Hinge gooseneck bracket with the ball joint.....                          | 15 |
| Figure 16: Damper assembly on hand door damper support bracket .....                 | 16 |
| Figure 17: Dimension for door lock support plate position .....                      | 17 |
| Figure 18: Door lock plate with door lock support plate assembly.....                | 17 |
| Figure 19: Cutting and drilling localisation.....                                    | 18 |
| Figure 20: Drill and door handle positioning.....                                    | 19 |
| Figure 21: Door handle correction .....  | 19 |
| Figure 22: Drill and C clamp assembly.....   | 20 |
| Figure 23: Door closing plate assembly.....  | 20 |
| Figure 24: Door check strap assembly.....  | 21 |
| Figure 25: Before/After connector cut.....   | 22 |
| Figure 26: Before/After red box part cut .....                                       | 22 |
| Figure 27: Drilling and door lock positioning .....                                  | 23 |
| Figure 28: Door lock positioning .....   | 23 |
| Figure 29: Cable with cylinder and door handle assembly.....                         | 24 |
| Figure 30: Door handle cable stop assembly .....                                     | 24 |
| Figure 31: Door cutting for door opening plate .....                                 | 25 |
| Figure 32: Distance until the door opening plate.....                                | 25 |
| Figure 33: Spotting part to apply glue.....  | 26 |
| Figure 34: Door opening plate assembly.....  | 27 |
| Figure 35: Hand door damper support bracket and plate assembly.....                  | 28 |
| Figure 36: Adjustment parameters .....   | 29 |
| Figure 37: Door hinge brackets .....   | 29 |
| Figure 38: Door with upper and lower bracket .....                                   | 30 |
| Figure 39: Upper and lower bracket .....   | 30 |
| Figure 40: Door lock plate doubler.....  | 31 |
| Figure 41: Template screen door .....  | 32 |
| Figure 42: Door with screen – inside view .....                                      | 33 |

## Kit Evo door for 2L nomenclature

| REF MITJET | DESIGNATION                         | QTE |
|------------|-------------------------------------|-----|
| CC3046     | DOOR HANDLE CABLE STOP              | 2   |
| CC3081     | DOOR HINGE SPACER LOWER             | 6   |
| CC3080     | DOOR HINGE SPACER UPPER             | 6   |
| CC282      | DOOR HINGE SPACER                   | 6   |
| CC3060     | DOOR LOCK PLATE SPACER              | 4   |
| TAR257     | C CLAMP D40                         | 2   |
| CC3056     | RIGHT DOOR HINGE GOOSENECK BRACKET  | 1   |
| CC3055     | LEFT DOOR HINGE GOOSENECK BRACKET   | 1   |
| COLLE      | WINDSCREEN GLUE                     | 1   |
| CC241A     | RIGHT HAND DOOR DAMPER BACK-PLATE   | 1   |
| CC3024     | DOOR LOCK PLATE                     | 2   |
| CC277      | BUSH 10-12-15                       | 4   |
| CC3030     | INSIDE PANEL V6 RIGHT DOOR          | 1   |
| CC3029     | INSIDE PANNEL V6 LEFT DOOR          | 1   |
| CC3061     | RIGHT DOOR HANDLE                   | 1   |
| CC3062     | LEFT DOOR HANDLE                    | 1   |
| CC3007A    | RIGHT MIRROR FOR ST DOOR MODEL 2022 | 1   |
| CC3008A    | LEFT MIRROR FOR ST DOOR MODEL 2022  | 1   |
| P212       | 90DEG BALL JOINT M6                 | 4   |
| CC3021     | DOOR HAND-STRAP 180MM               | 2   |
| CC3019     | RIGHT DOOR LOCK                     | 1   |
| CC3020     | LEFT DOOR LOCK                      | 1   |
| CC3051     | TWO FINGER PULL HANDLE              | 2   |
| CC3063     | INSIDE DOOR PANEL CLOSING PLATE     | 2   |
| CC3048     | RIGHT DOOR OPENING PLATE            | 1   |
| CC3047     | LEFT DOOR OPENING PLATE             | 1   |
| CC3082     | PULL HANDLE CABLE CLAMPING PLATE    | 4   |
| CC3059     | DOOR LOCK SUPPORT PLATE RIGHT       | 1   |
| CC3058     | DOOR LOCK SUPPORT PLATE LEFT        | 1   |
| CC242A     | RIGHT HAND DOOR DAMPER BRACKET      | 1   |
| CC3054     | DOOR GAS DAMPER 400N                | 2   |
| CC3005     | RIGHT DOOR WINDOW SUPERTOURISME     | 1   |
| CC3006     | LEFT DOOR WINDOW SUPERTOURISME      | 1   |

## Screw and bolt Kit nomenclature

| REF MITJET | DESIGNATION                            | QTE |
|------------|--|-----|
| RM203      | CAPTIVE NUT M5 22X15                   | 8   |
| TR06       | CAPTIVE NUT M6 25X16                   | 2   |
| CC3064     | CAPTIVE NUT M8 28X18                   | 2   |
| EQ292      | BICHROME NYLOCK NUT M3                 | 4   |
| D209       | BICHROME NYLOCK NUT M4                 | 20  |
| EQ233      | NYLOCK NUT M5                          | 6   |
| CC245      | ZINC NYLOCK NUT M6                     | 4   |
| BV219      | ZINC NYLOCK NUT M8                     | 4   |
| CC273      | POP RIVET D4X10                        | 4   |
| CC273L     | POP RIVET D4X10 LARGE HEAD             | 4   |
| CC3102     | BLIND RIVET D6X16                      | 4   |
| CC3094     | WASHER D4 D16                          | 40  |
| P233       | ZINC WASHER D5                         | 18  |
| CC230      | WASHER D6 D12                          | 4   |
| EQ225      | ONDUFLEX SPRING WASHER D6 D12 0.5MM    | 2   |
| CH243      | BLACK CONTACT WASHER D8 D18            | 6   |
| RE226      | TRUSS HEAD SCREW M4X12 CL 12.9         | 24  |
| CC3092     | TRUSS HEAD SCREW M4X30 CL10.9 ZINCED   | 8   |
| CC244      | TRUSS HEAD SCREW BHC M5X12 CL10.9      | 8   |
| CC3090     | TRUSS HEAD SCREW M5X20 CL10.9          | 18  |
| CC3099     | TRUSS HEAD SCREW M6X25 CL10.9          | 2   |
| BV220      | TRUSS HEAD SCREW M8X20 CL10.9          | 2   |
| CC3095     | COUNTER SUNK SCREW M8X15 CL12.9        | 4   |
| CC3089     | COUNTER SUNK SCREW M8X20 CL 10.9 BRUTE | 4   |
| CC279      | ZINC HEX HEAD SCREW M6X50 CL8.8        | 2   |
| RM203      | CAPTIVE NUT M5 22X15                   | 8   |

# Nomenclature and technical drawings

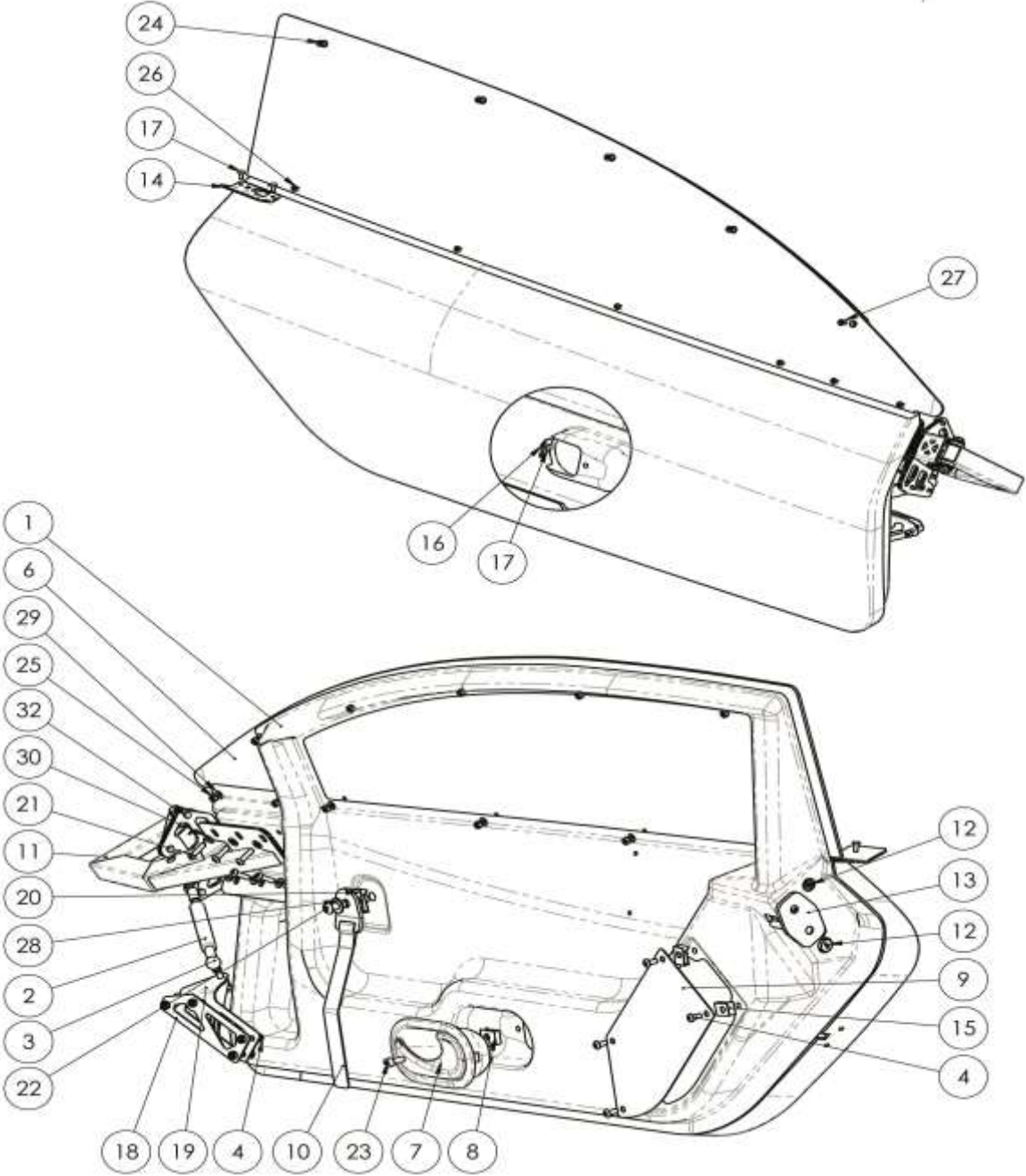
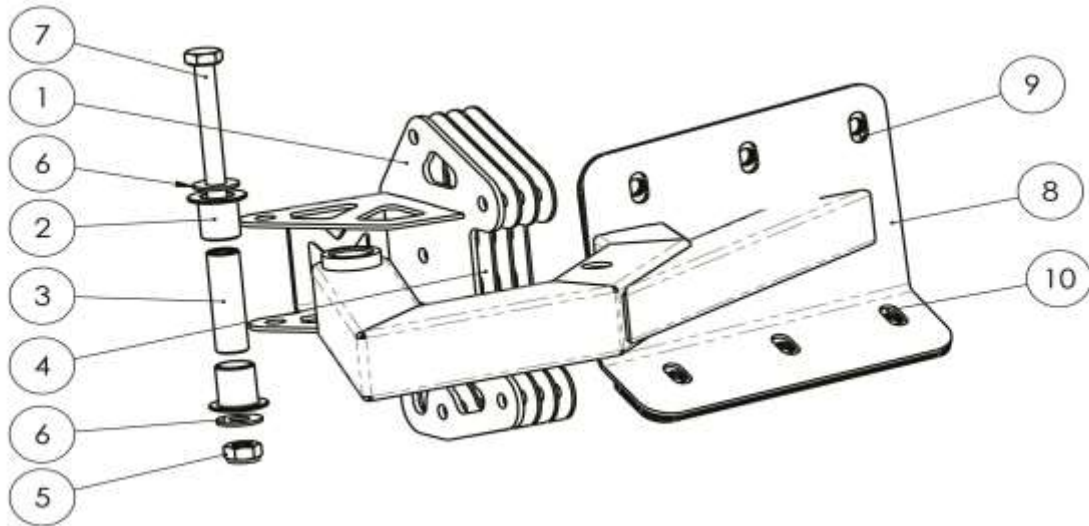


Figure 1: Right door technical drawing

| N° | REF    | DESCRIPTION                        | DESCRIPTION                          | QTE |
|----|--------|------------------------------------|--------------------------------------|-----|
| 1  | CC3030 | PANNEAU INTERIEUR PORTE D V6       | INSIDE PANEL V6 RIGHT DOOR           | 1   |
| 2  | CC3054 | VERIN PORTE GAZ 400N               | DOOR GAS DAMPER 400N                 | 1   |
| 3  | P212   | ROTULE M6 90DEG                    | 90DEG BALL JOINT M6                  | 2   |
| 4  | CC244  | VIS BHC M5x12 CL10.9               | TRUSS HEAD SCREW BHC M5X12 CL10.9    | 8   |
| 5  | CC245  | ECROU M6 NYLSTOP ZINGUE            | ZINC NYLOCK NUT M6                   | 1   |
| 6  | CC3005 | VITRE PORTE DROITE SUPERTOURISME   | RIGHT DOOR WINDOW SUPERTOURISME      | 1   |
| 7  | CC3061 | POIGNEE DE PORTE DROITE            | RIGHT DOOR HANDLE                    | 1   |
| 8  | TR06   | CLIPS ECROU M6 24X16               | CAPTIVE NUT M6 25X16                 | 1   |
| 9  | CC3063 | TOLE FERMETURE PANNEAU INTERIEUR   | INSIDE DOOR PANEL CLOSING PLATE      | 1   |
| 10 | CC3021 | SANGLE DE PORTE 180MM              | DOOR HAND-STRAP 180MM                | 1   |
| 11 | CC3056 | COL DE CYGNE PORTE DROITE          | RIGHT DOOR HINGE GOOSENECK BRACKET   | 1   |
| 12 | CC3019 | SERRURE PORTE DROITE               | RIGHT DOOR LOCK                      | 1   |
| 13 | CC3024 | GACHE DE SERRURE                   | DOOR LOCK PLATE                      | 1   |
| 14 | CC3048 | TOLE OUVERTURE PORTE D             | RIGHT DOOR OPENING PLATE             | 1   |
| 15 | RM203  | CLIPS ECROU M5 22x15               | CAPTIVE NUT M5 22X15                 | 4   |
| 16 | CC3046 | ARRET DE GAINÉ CDE PORTE           | DOOR HANDLE CABLE STOP               | 1   |
| 17 | CC273  | RIVET D4x10 ALU TIGE ACIER AVEUGLE | POP RIVET D4X10                      | 2   |
| 17 | CC3102 | RIVET D4x16 ALU TIGE ACIER AVEUGLE | BLIND RIVET D6X16                    | 2   |
| 18 | CC241A | CONTRE PLAQUE SUP VERIN PORTE D    | RIGHT HAND DOOR DAMPER BACK-PLATE    | 1   |
| 19 | CC242A | TOLE SUPPORT VERIN PORTE D         | RIGHT HAND DOOR DAMPER BRACKET       | 1   |
| 20 | CC3064 | CLIPS ECROU M8 28X18               | CAPTIVE NUT M8 28X18                 | 1   |
| 21 | CC3090 | VIS BHC M5X20 CL10.9               | TRUSS HEAD SCREW M5X20 CL10.9        | 6   |
| 22 | BV220  | VIS BHC M8x20 CL10.9               | TRUSS HEAD SCREW M8X20 CL10.9        | 1   |
| 23 | CC3099 | VIS BHC M6X25 CL10.9               | TRUSS HEAD SCREW M6X25 CL10.9        | 1   |
| 23 | EQ225  | RONDELLE D6 D12 EP0.5 ONDULEE      | ONDUFLEX SPRING WASHER D6 D12 0.5MM  | 1   |
| 24 | CC3092 | VIS BHC M4X30 CL10.9 ZN            | TRUSS HEAD SCREW M4X30 CL10.9 ZINCED | 4   |
| 25 | D209   | ECROU M4 NYLSTOP BICHROMATE        | BICHROME NYLOCK NUT M4               | 11  |
| 26 | RE226  | VIS BHC M4X12 CL10.9               | TRUSS HEAD SCREW M4X12 CL 12.9       | 6   |
| 27 | RE226  | VIS BHC M4X12 CL10.9               | TRUSS HEAD SCREW M4X12 CL 12.9       | 6   |
| 28 | CH243  | RONDELLE D8 D18 CONTACT NOIR       | BLACK CONTACT WASHER D8 D18          | 2   |
| 29 | CC3094 | RONDELLE D4 D16 PLATE LARGE        | WASHER D4 D16                        | 20  |
| 30 | P233   | RONDELLE D5 PLATE ZINGUEE          | ZINC WASHER D5                       | 6   |
| 31 | CC3095 | VIS FHC M8X16 CL12.9               | COUNTER SUNK SCREW M8X15 CL12.9      | 2   |
| 32 | CC3096 | RIVET POP D4X12 ALU TIGE ACIER     | RIVET D4X12                          | 5   |

Figure 2: Right door nomenclature



| N° | REF    | DESCRIPTION                | DESCRIPTION                        | QTE |
|----|--------|----------------------------|------------------------------------|-----|
| 1  | CC284  | CHARNIERE PORTE D V2       | RIGHT DOOR HINGE BRACKET           | 1   |
| 2  | CC277  | PALIER JFM 10-12-15        | BUSH 10-12-15                      | 2   |
| 3  | CC278  | AXE DE CHARNIERE DE PORTE  | DOOR HINGE PIN                     | 1   |
| 4  | CC282  | CALE DE CHARNIERE DE PORTE | DOOR HINGE SPACER                  | 3   |
| 5  | CC245  | ECROU M6 NYLSTOP ZINGUE    | ZINC NYLOCK NUT M6                 | 1   |
| 6  | CC228  | RONDELLE D6 D15            | WASHER D6 D15                      | 2   |
| 7  | CC279  | VIS H M6x50 ZINGUEE CL8.8  | ZINC HEX HEAD SCREW M6X50 CL8.8    | 1   |
| 8  | CC3056 | COL DE CYGNE PORTE DROITE  | RIGHT DOOR HINGE GOOSENECK BRACKET | 1   |
| 9  | CC3080 | CALE CHARNIERE PORTE SUP   | DOOR HINGE SPACER UPPER            | 3   |
| 10 | CC3081 | CALE CHARNIERE PORTE INF   | DOOR HINGE SPACER LOWER            | 2   |

Figure 3: Right door hinge bracket technical drawing and nomenclature



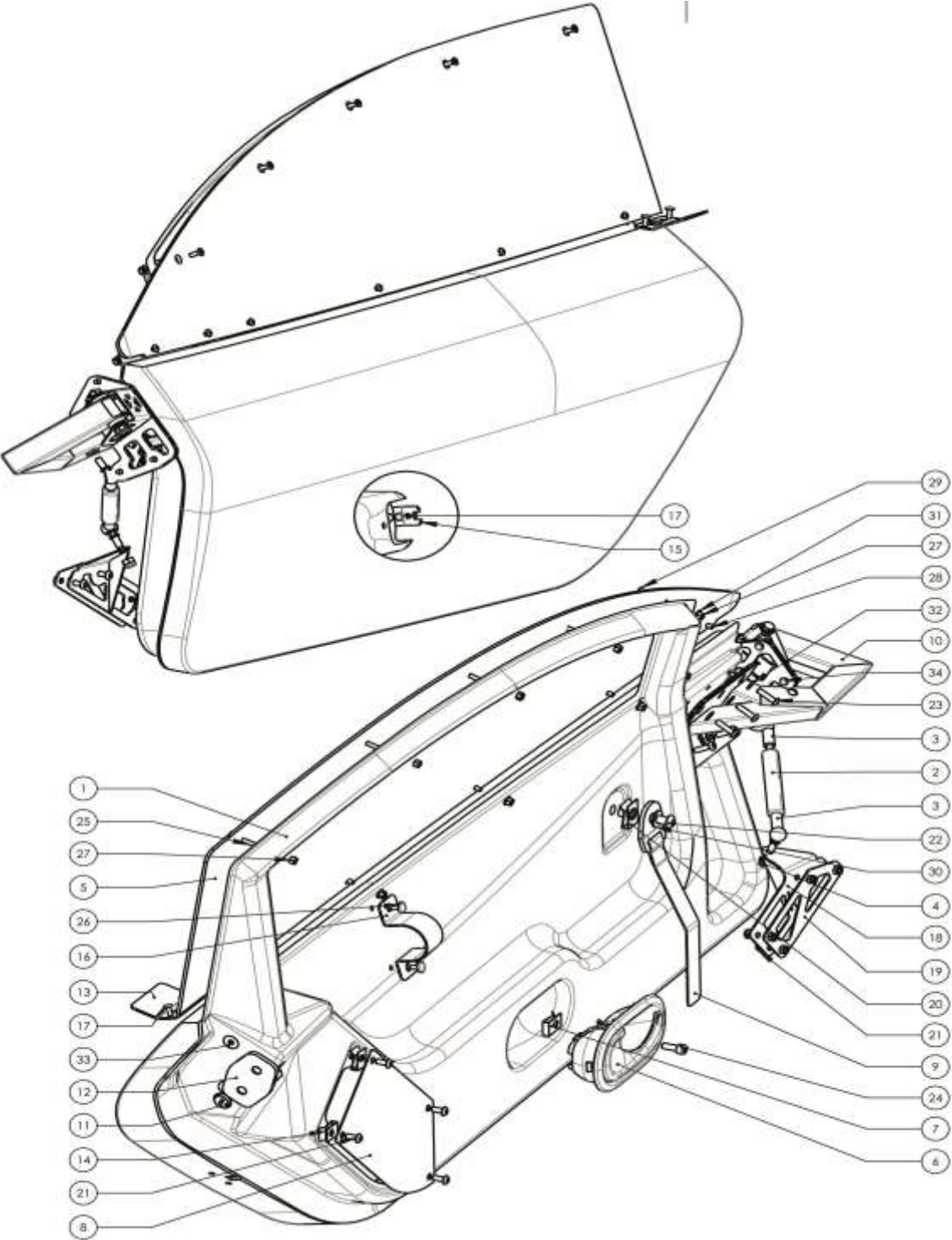
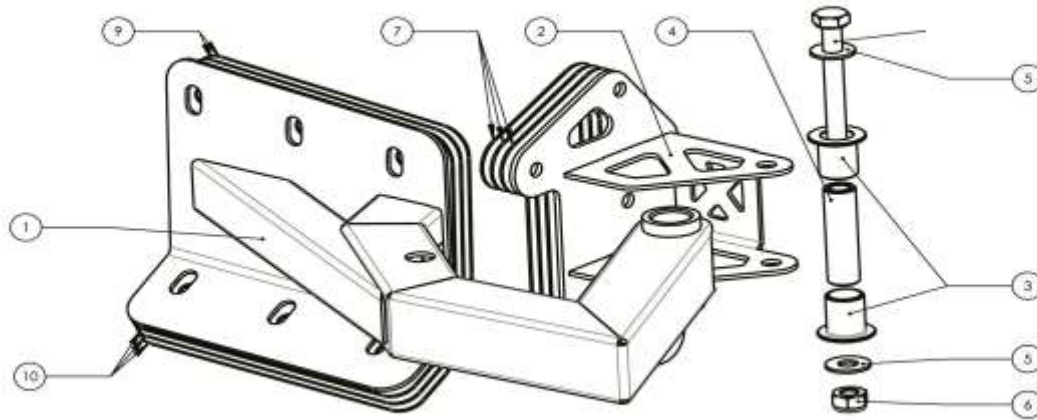


Figure 4: Left door technical drawing

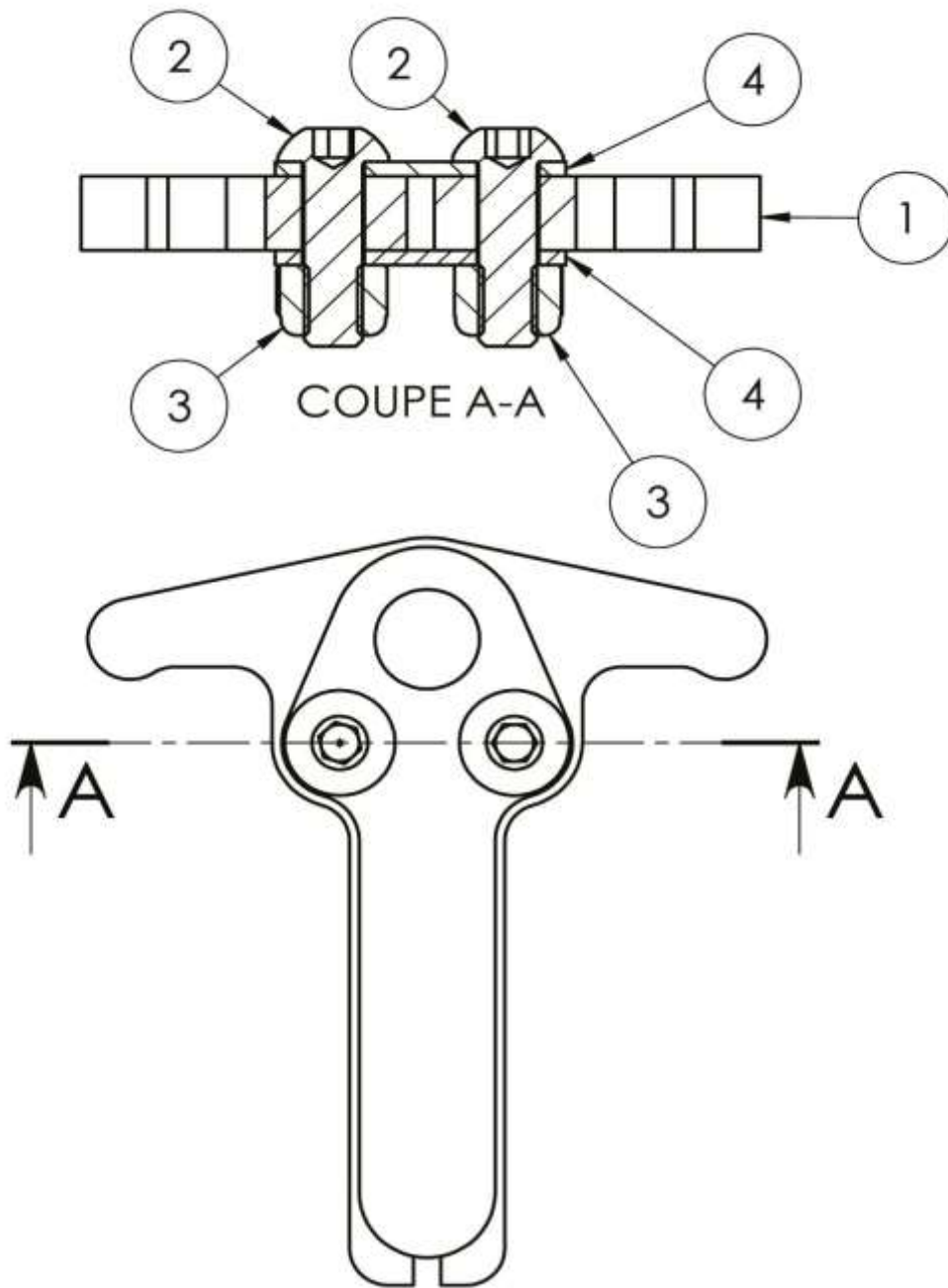
| N° | REF    | DESCRIPTION                           | DESCRIPTION                          | QTE |
|----|--------|---------------------------------------|--------------------------------------|-----|
| 1  | CC3029 | PANNEAU INTERIEUR PORTE G V6          | INSIDE PANNEL V6 LEFT DOOR           | 1   |
| 2  | CC3054 | VERIN PORTE GAZ 400N                  | DOOR GAS DAMPER 400N                 | 1   |
| 3  | P212   | ROTULE M6 90DEG                       | 90DEG BALL JOINT M6                  | 2   |
| 4  | CC245  | ECROU M6 NYLSTOP ZINGUE               | ZINC NYLOCK NUT M6                   | 1   |
| 5  | CC3006 | VITRE PORTE GAUCHE SUPERTOURISME      | LEFT DOOR WINDOW SUPERTOURISME       | 1   |
| 6  | CC3062 | POIGNEE DE PORTE GAUCHE               | LEFT DOOR HANDLE                     | 1   |
| 7  | TR06   | CLIPS ECROU M6 24X16                  | CAPTIVE NUT M6 25X16                 | 1   |
| 8  | CC3063 | TOLE FERMETURE PANNEAU INTERIEUR      | INSIDE DOOR PANEL CLOSING PLATE      | 1   |
| 9  | CC3021 | SANGLE DE PORTE 180MM                 | DOOR HAND-STRAP 180MM                | 1   |
| 10 | CC3055 | COL DE CYGNE PORTE GAUCHE             | LEFT DOOR HINGE GOOSENECK BRACKET    | 1   |
| 11 | CC3020 | SERRURE PORTE GAUCHE                  | LEFT DOOR LOCK                       | 1   |
| 12 | CC3024 | GACHE DE SERRURE                      | DOOR LOCK PLATE                      | 1   |
| 13 | CC3047 | TOLE OUVERTURE PORTE G                | LEFT DOOR OPENING PLATE              | 1   |
| 14 | RM203  | CLIPS ECROU M5 22x15                  | CAPTIVE NUT M5 22X15                 | 4   |
| 15 | CC3046 | ARRET DE GAINÉ CDE PORTE              | DOOR HANDLE CABLE STOP               | 1   |
| 16 | TAR257 | CAVALIER LONG D40                     | C CLAMP D40                          | 1   |
| 17 | CC273  | RIVET D4x10 ALU TIGE ACIER AVEUGLE    | POP RIVET D4X10                      | 2   |
| 17 | CC3102 | RIVET D4x16 ALU TIGE ACIER AVEUGLE    | BLIND RIVET D6X16                    | 2   |
| 18 | CC242  | TOLE SUPPORT VERIN PORTE G            | LEFT HAND DOOR DAMPER BRACKET        | 1   |
| 19 | CC241  | CONTRE PLAQUE SUP VERIN PORTE G       | LEFT HAND DOOR DAMPER BACK-PLATE     | 1   |
| 20 | CC3064 | CLIPS ECROU M8 28X18                  | CAPTIVE NUT M8 28X18                 | 1   |
| 21 | CC244  | VIS BHC M5x12 CL10.9                  | TRUSS HEAD SCREW BHC M5X12 CL10.9    | 8   |
| 22 | BV220  | VIS BHC M8x20 CL10.9                  | TRUSS HEAD SCREW M8X20 CL10.9        | 1   |
| 23 | CC3090 | VIS BHC M5X20 CL10.9                  | TRUSS HEAD SCREW M5X20 CL10.9        | 6   |
| 24 | CC3099 | VIS BHC M6X25 CL10.9                  | TRUSS HEAD SCREW M6X25 CL10.9        | 1   |
| 24 | EQ225  | RONDELLE D6 D12 EP0.5 ONDULEE         | ONDUFLEX SPRING WASHER D6 D12 0.5MM  | 1   |
| 25 | CC3092 | VIS BHC M4X30 CL10.9 ZN               | TRUSS HEAD SCREW M4X30 CL10.9 ZINCED | 4   |
| 26 | CC273L | RIVET D4x10 ALU TIGE ACIER TETE LARGE | POP RIVET D4X10 LARGE HEAD           | 2   |
| 27 | D209   | ECROU M4 NYLSTOP BICHROMATE           | BICHROME NYLOCK NUT M4               | 11  |
| 28 | RE226  | VIS BHC M4X12 CL10.9                  | TRUSS HEAD SCREW M4X12 CL 12.9       | 6   |
| 29 | RE226  | VIS BHC M4X12 CL10.9                  | TRUSS HEAD SCREW M4X12 CL 12.9       | 6   |
| 30 | CH243  | RONDELLE D8 D18 CONTACT NOIR          | BLACK CONTACT WASHER D8 D18          | 4   |
| 31 | CC3094 | RONDELLE D4 D16 PLATE LARGE           | WASHER D4 D16                        | 20  |
| 32 | P233   | RONDELLE D5 PLATE ZINGUEE             | ZINC WASHER D5                       | 6   |
| 33 | CC3095 | VIS FHC M8X16 CL12.9                  | COUNTER SUNK SCREW M8X15 CL12.9      | 2   |
| 34 | CC3096 | RIVET POP D4X12 ALU TIGE ACIER        | RIVET D4X12                          | 5   |

Figure 5: Left door nomenclature



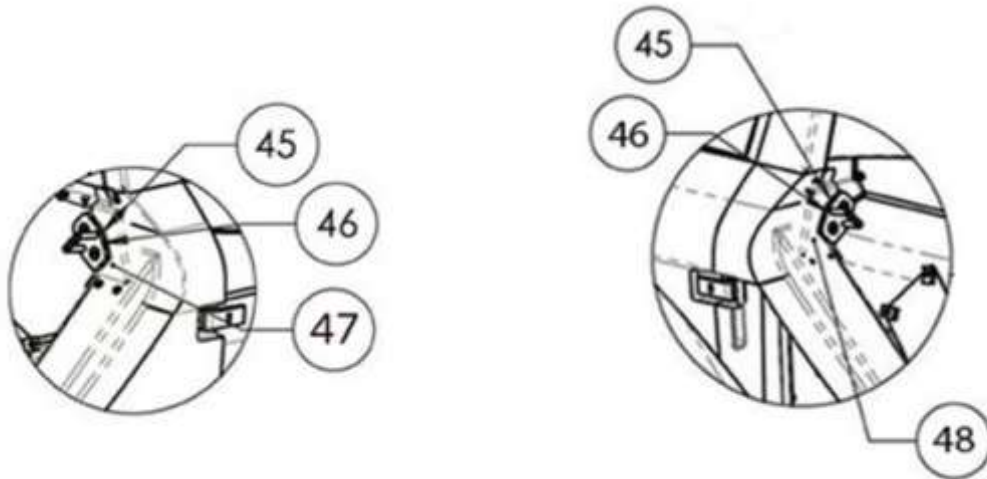
| N° | REF    | DESCRIPTION                | DESCRIPTION                       | QTE |
|----|--------|----------------------------|-----------------------------------|-----|
| 1  | CC3055 | COL DE CYGNE PORTE GAUCHE  | LEFT DOOR HINGE GOOSENECK BRACKET | 1   |
| 2  | CC276  | CHARNIERE PORTE G V2       | LEFT DOOR HINGE BRACKET           | 1   |
| 3  | CC277  | PALIER JFM 10-12-15        | BUSH 10-12-15                     | 2   |
| 4  | CC278  | AXE DE CHARNIERE DE PORTE  | DOOR HINGE PIN                    | 1   |
| 5  | CC228  | RONDELLE D6 D15            | WASHER D6 D15                     | 2   |
| 6  | CC245  | ECROU M6 NYLSTOP ZINGUE    | ZINC NYLOCK NUT M6                | 1   |
| 7  | CC282  | CALE DE CHARNIERE DE PORTE | DOOR HINGE SPACER                 | 3   |
| 8  | CC279  | VIS H M6x50 ZINGUEE CL8.8  | ZINC HEX HEAD SCREW M6X50 CL8.8   | 1   |
| 9  | CC3080 | CALE CHARNIERE PORTE SUP   | DOOR HINGE SPACER UPPER           | 3   |
| 10 | CC3081 | CALE CHARNIERE PORTE INF   | DOOR HINGE SPACER LOWER           | 2   |

Figure 6: Left door hinge gooseneck bracket technical drawing and nomenclature



| N° | REF    | DESCRIPTION                  | DESCRIPTION                      | QTE |
|----|--------|------------------------------|----------------------------------|-----|
| 1  | CC3051 | TIRETTE COE                  | TWO FINGER PULL HANDLE           | 1   |
| 2  | EQ369  | VIS BHC M3x10                | TRUSS HEAD SCREW M3X10           | 2   |
| 3  | EQ292  | ECROU M3 NYLSTOP BICHROMATE  | BICHROME NYLOCK NUT M3           | 2   |
| 4  | CC3082 | TOLE SERRE CABLE TIRETTE COE | PULL HANDLE CABLE CLAMPING PLATE | 2   |

Figure 7: Cut off switch pull handle technical drawing and nomenclature



| N° | REF    | DESCRIPTION                        | DESCRIPTION                   | QTE |
|----|--------|------------------------------------|-------------------------------|-----|
| 45 | CC3060 | CALE GACHE DE PORTE                | DOOR LOCK PLATE SPACER        | 4   |
| 46 | CC3024 | GACHE DE SERRURE                   | DOOR LOCK PLATE               | 2   |
| 47 | CC3058 | TOLE SUPPORT GACHE DE PORTE GAUCHE | DOOR LOCK SUPPORT PLATE LEFT  | 1   |
| 48 | CC3059 | TOLE SUPPORT GACHE DE PORTE DROITE | DOOR LOCK SUPPORT PLATE RIGHT | 1   |

Figure 8: Door lock plate technical drawing and nomenclature

# Door EVO kit assembly

## Hinge gooseneck bracket assembly

Dismantle hinge goosehead bracket (CC3056-CC3055) and keep the strut



Figure 9: Old hinge gooseneck bracket with the strut

Leave the door hinge bracket (CC284-CC276), the left hand door damper bracket (CC242) and the left hand door damper back-plate (CC241)



Figure 10: Door hinge bracket and hand door damper support bracket



Take the hinge gooseneck bracket (CC3056-CC3055) and put the bushes (CC277). Apply copper grease on the strut and put it back in the bushes.

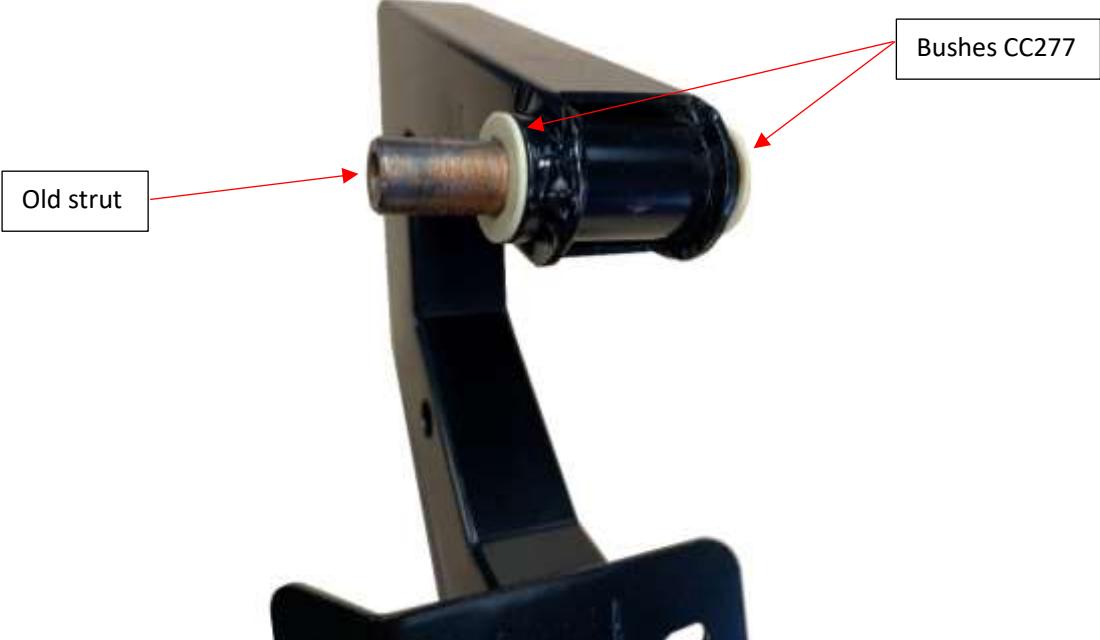


Figure 11: New hinge gooseneck bracket with old strut

Fix the new hinge gooseneck bracket on door hinge bracket with Hex screw M6x50 (CC279), zinc nylock nut M6 (CC245) and 2 washers D6 D15 (CC228).



Figure 12: Hinge gooseneck bracket assembly with door hinge bracket

## Door damper assembly

Assemble the damper (CC3054) with the two M6 ball joints (P212) at each ends.



Figure 13: Damper assembly

Remove the clip to disassembly the 90° ball joint (P212)



Figure 14: Damper without ball joint

Screw the ball joint in the hinge gooseneck bracket



Figure 15: Hinge gooseneck bracket with the ball joint



Screw the other ball joint on the door damper support bracket (CC242 on the left) with nylock nut M6 (CC245)



Figure 16: Damper assembly on door damper support bracket

## Door lock support plate assembly

Use the tracing paper sheet in Annexe 1 to drill the 3 holes for truss head screw M5X20 (CC3090) with washer (P233) and nylock nut M5 (EQ233). Overlay the red line from the tracing paper sheet with the reference red line on the picture below.

Assemble the door lock support plate (CC3058 on the left and CC3059 on the right) and the door lock plate (CC3024) with 2 counter sunk screws M8x20 (BV220), 2 nylock nuts M8 (BV219), 2 washers M8 (CH243)

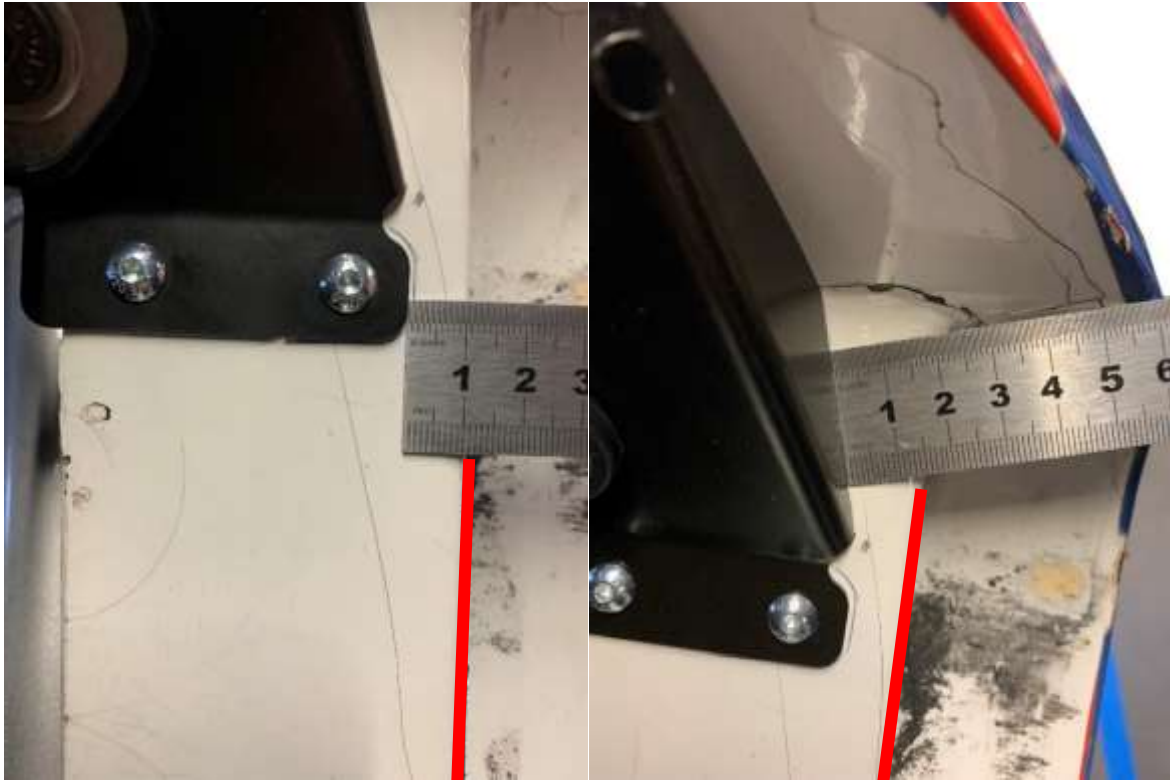


Figure 17: Dimension for door lock support plate position



Figure 18: Door lock plate with door lock support plate assembly

### Inside door panel cut and drill (CC3029 on the left) (CC3030 on the right)

Cut and drill the white area on the picture below.



Figure 19: Cutting and drilling localisation

### Door handle positioning

Drill the door panel with size 6 bit then put the captive nut 24.5x16xM6 (TR06). Screw the door handle (CC3062 on the left) (CC3061 on the right) with a truss head screw M6x25 (CC3099) and onduflex spring washer D6 D12 (EQ225).



Figure 20: Drilling and door handle positioning



Figure 21: Door handle trimming

## C clamps D40 assembly (TAR257)

Fit on the door panel with pop rivet D4X10 large head (CC273L)



Figure 22: Drilling and C clamp assembly

## Door closing plate assembly

Put 4 captive nuts 22x15xM5 (RM203) at each corner and attach the door closing plate (CC3063) with 4 truss head screws M5x12 (CC244)



Figure 23: Door closing plate assembly

## Door check strap assembly

Fit a captive nut 28x18xM8 (CC3064) in the hole drilled previously and screw the door check strap (CC3021) with a truss head screw M8x20 (BV220) and black contact washer D8 D18 (CH243).



Figure 24: Door check strap assembly



### Door lock assembly

Cut the 2 red boxed parts then put it in the door (CC3020 on the left) (CC3019 on the right)



Figure 25: Before/After connector cut

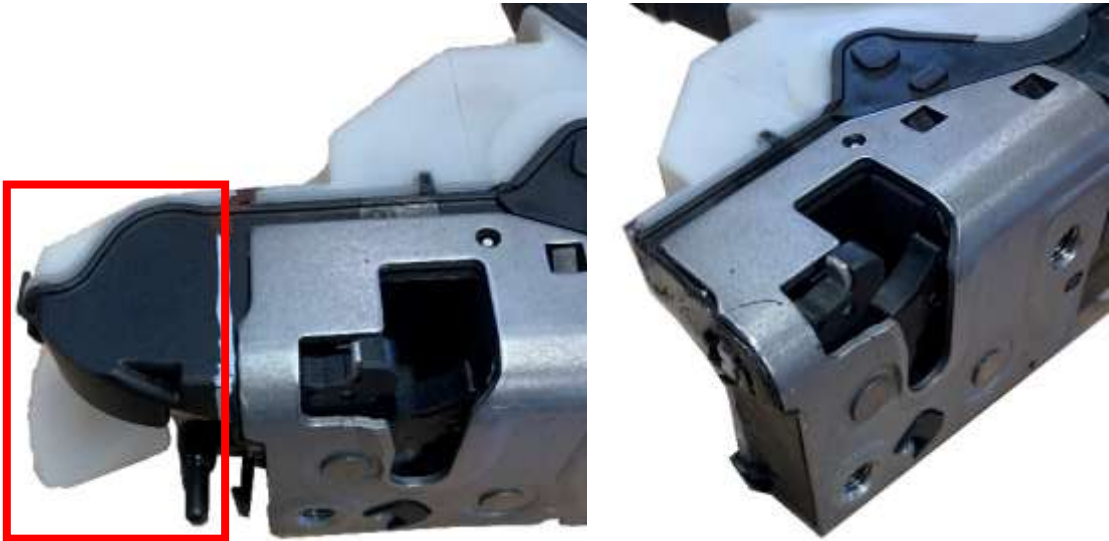


Figure 26: Before/After red boxed part cut

Fix the door lock and drill 3 holes for 2 counter sunk screws M8x16 (CC3095). Use the tracing paper sheet in Annexe 2 to drill the holes.



Figure 27: Drilling and door lock positioning



Figure 28: Door lock positioning



### Door handle cable stop assembly

Fix the longest cable with cylinder in the door handle and secure it with plastic tie.



Figure 29: Cable with cylinder and door handle assembly

Drill 2 holes to fit the door handle cable stop (CC3046). Assemble it with 1 rivets D4x10 (CC273) at the bottom and one D4x16 (CC3102) at the top. Make sure cable tension is not too high.

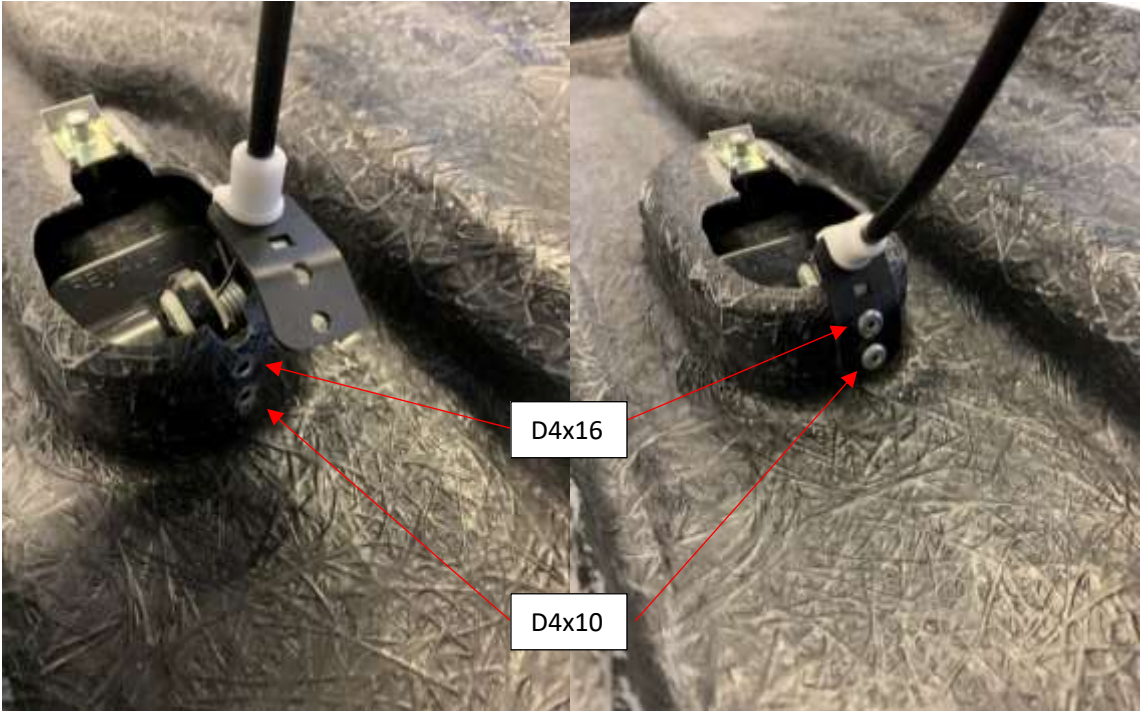


Figure 30: Door handle cable stop assembly

### Cutting hole for door opening plate (CC3047 on the left and CC3048 on the right)

Make a rectangle 23.5mm long and 13.5mm wide. Cut this rectangle at around 85mm from the door rear edge. Wait that the door is glued to fit the door opening plate with 2 rivets D4x10 (CC273).

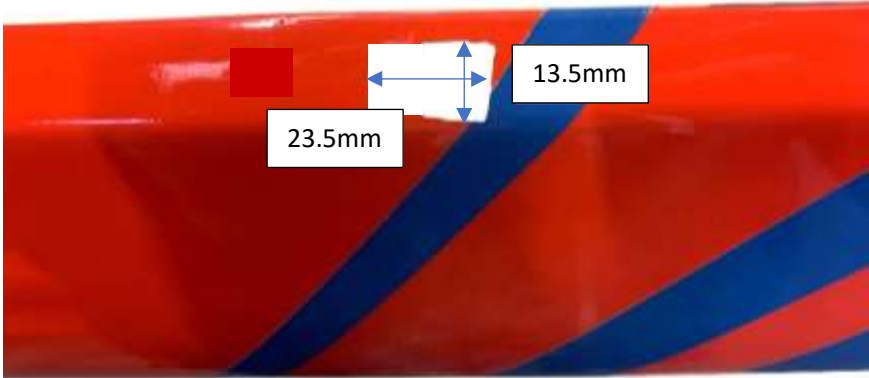


Figure 31: Door cutting for door opening plate



Figure 32: Distance until the door opening plate

### Door and door panel sticking

Put glue on the red lines of the picture below. Make sure the door opening cable (red circle) is sticking out of the door.

Use clamps around the door and scotch-tape on the upper part to join the 2 parts.



Figure 33: location of glue beads

## Door opening plate assembly

Assemble the pull handle (CC3051) with the 2 cable clamp plates (CC3082), 2 truss head screws M3x10 (EQ369) et 2 nylstop M3 nuts (EQ292). Use 2 rivets D4x10 (CC273) to fit the door opening plate on the door.



Figure 34: Door opening plate assembly



## Hand door damper support bracket (CC242A) and back-plate (CC241A) assembly

Use the tracing paper sheet in Annexe 3 to drill the hand door damper support bracket holes.

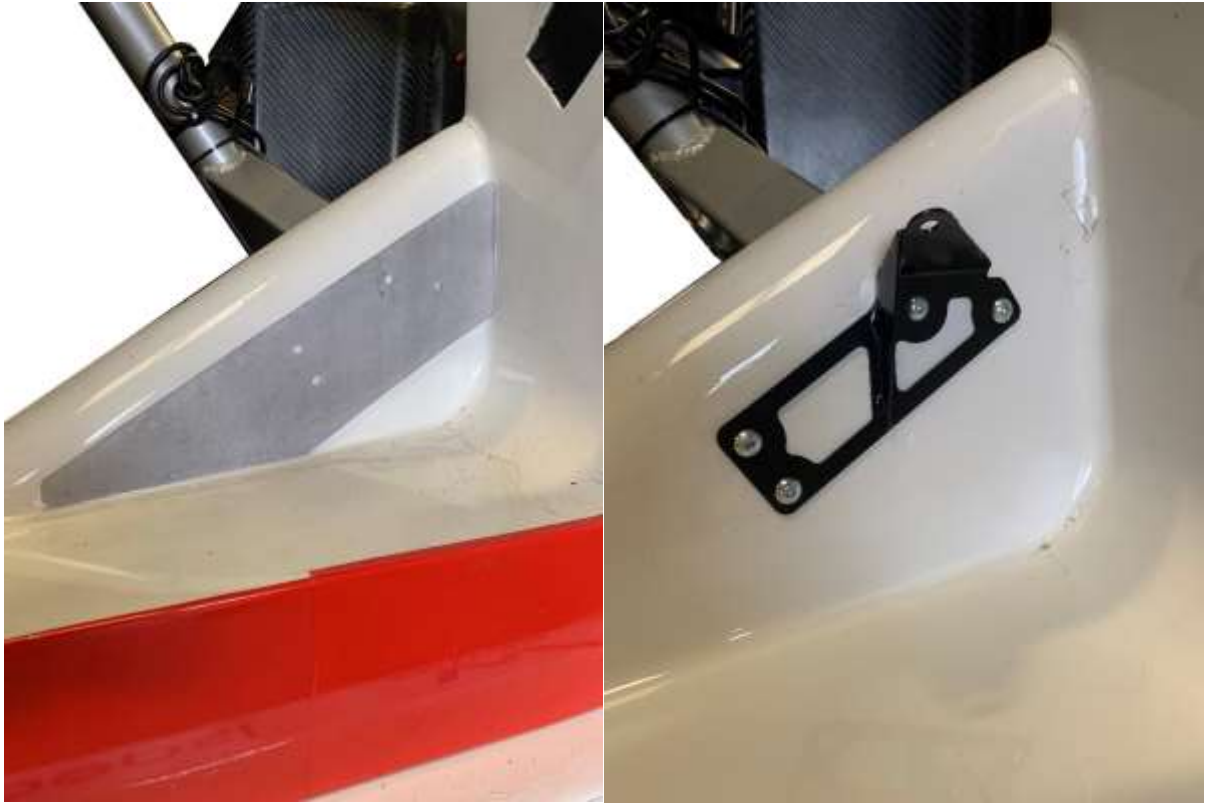


Figure 35: Hand door damper support bracket and plate assembly

## Door adjustment



Figure 36: Adjustment parameters

1

The door hinge spacers (CC282) allow the door adjustment in translation. (Photo below)

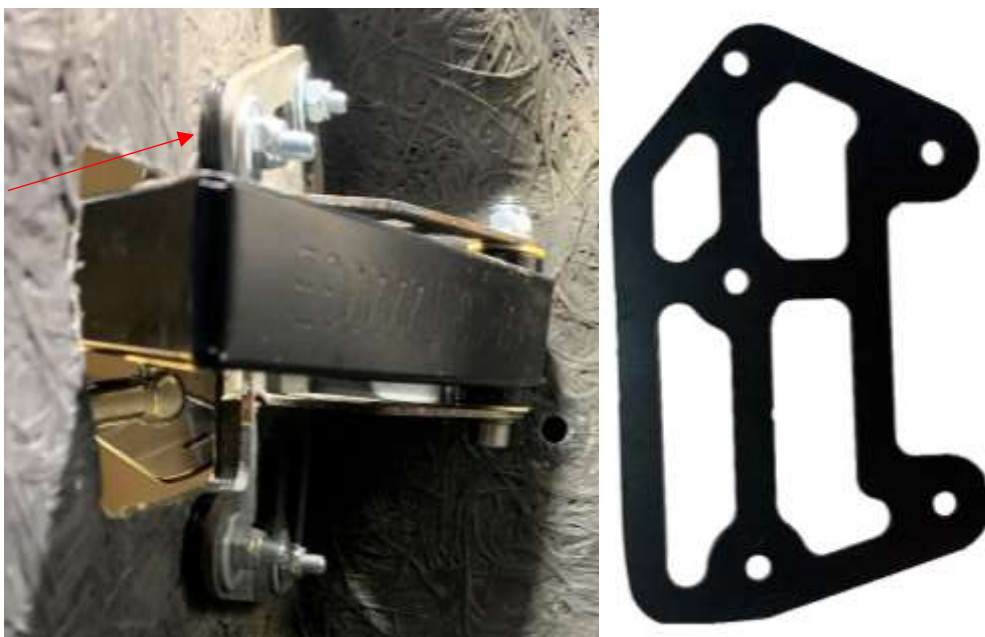


Figure 37: Door hinge spacers

2

Upper door hinge spacers (CC3080) and lower door hinge spacers (CC3081) allow door adjustment in rotation.

For the left door, adding a lower spacer allows the door to rotate clockwise, looking at the door from behind. Adding an upper spacer allows the door rotation anticlockwise. These information's need to be mirrored to apply to the right door. The assembly is made with 6 truss head screws M5x20 (CC3090) and 6 washers D5 (P233).



Figure 38: Door with upper and lower spacers



Figure 39: Upper and lower spacers

The door lock spacers (CC3060) allows the door lock adjustment in translation following the red axis. The 2 screws allow adjustment in translation following the green axis. The door is well adjusted when lock system bites the door lock without door vibration.

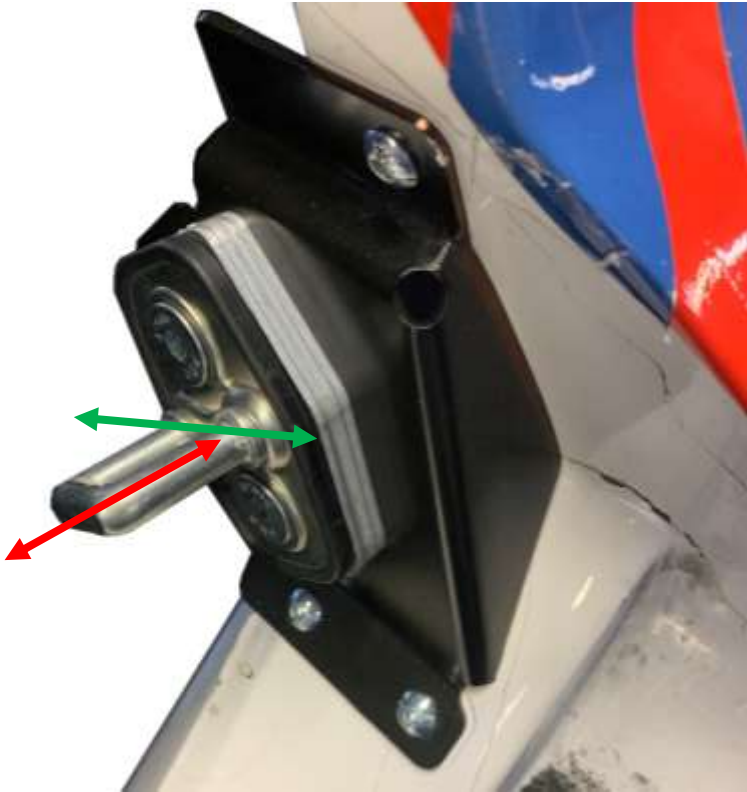


Figure 40: Door lock spacers



## Drilling and side window assembly on door panel (CC3006 on the left and CC3005 on the right)

For the lower holes drilling, dimensions are notified on the picture below. For the upper part, distances between centers can vary according to bracing position on the window frame of the door panel. Anyway, 5 holes must be drilled on the upper part and 6 holes on the lower part. Use:

- 4 truss head screws M4x30 (CC3092) on the 4 upper right holes
- 1 truss head screws M4x12 (RE226) on the upper left hole
- 5 truss head screws M4x12 (RE226) on the lower holes
- 10 nylstop M4 nuts (D209)
- 20 washers D4 D16 (CC3094)

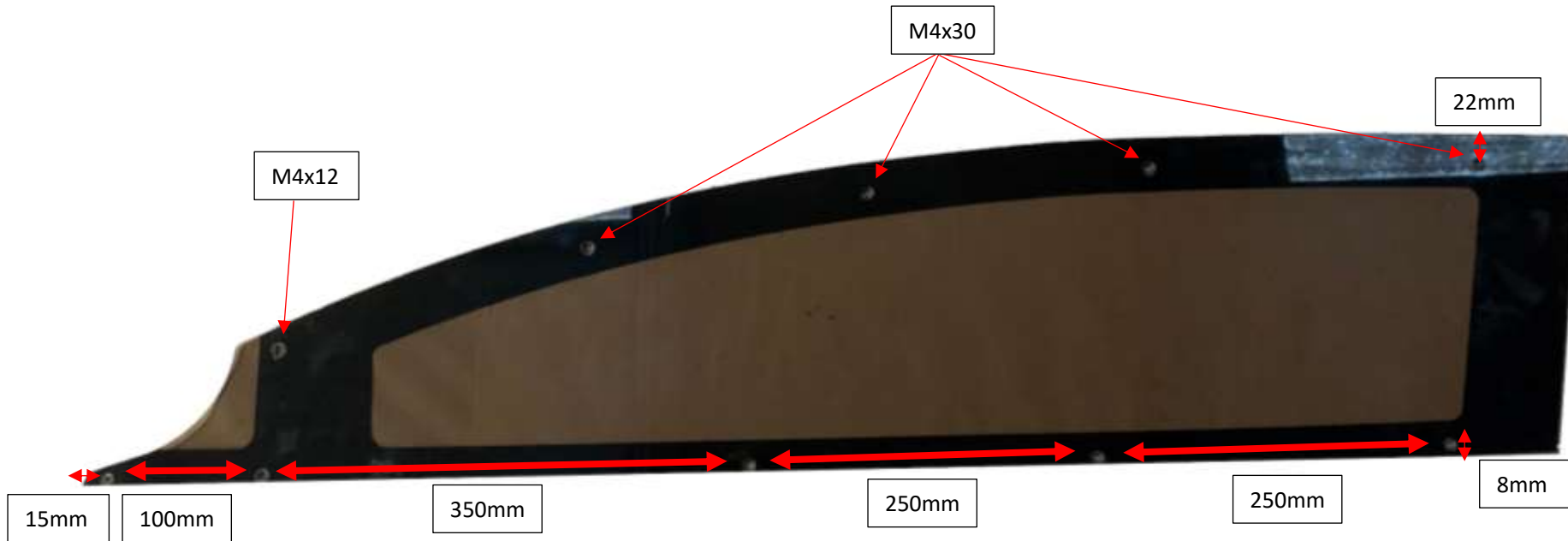


Figure 41: Template side window drilling fitting holes.



Figure 42: Door with side window – inside view

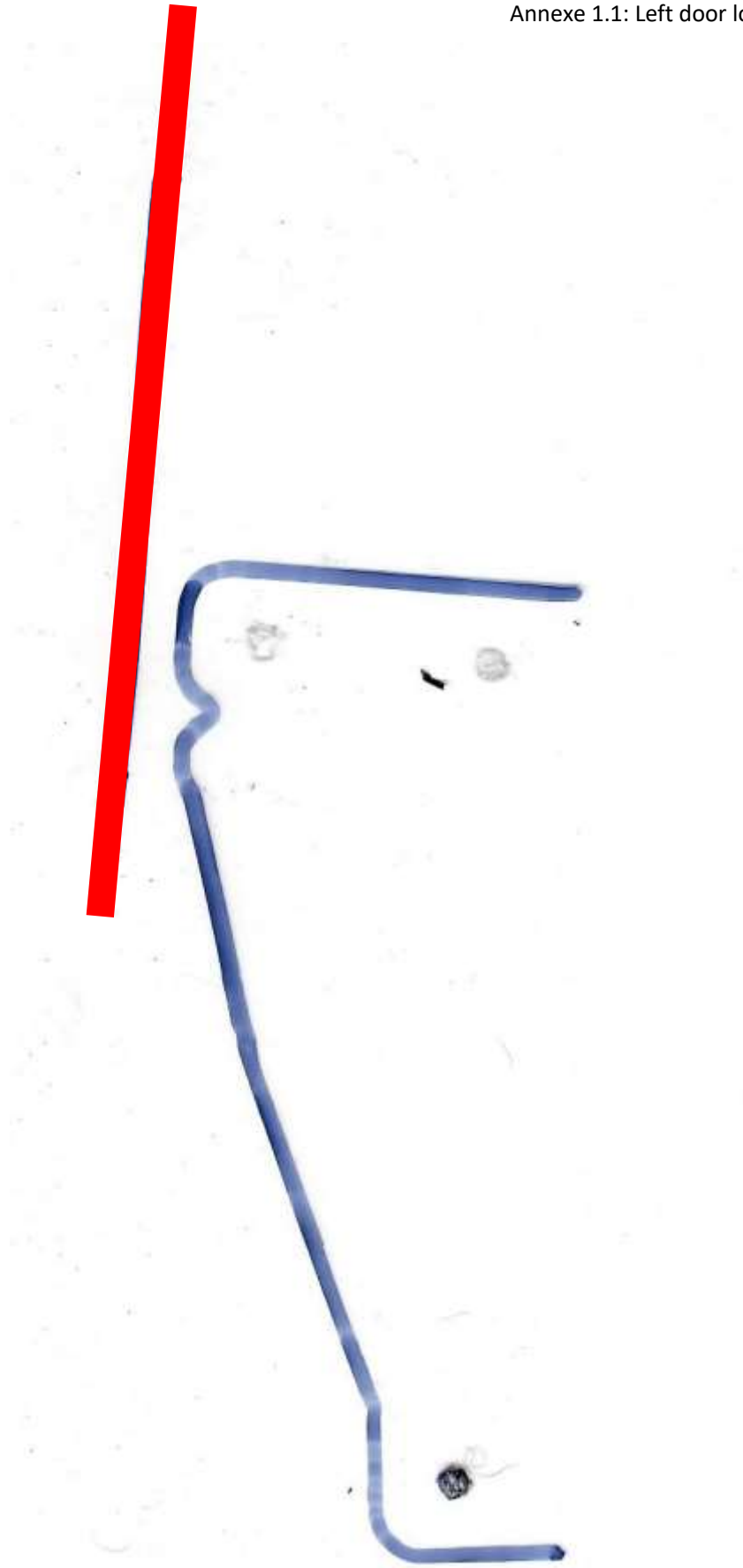
### Wing mirror assembly (CC3008A or CC3007A)

Drill a 6mm hole in the side window angle (green point) and use a counter sunk screw 6x25mm.

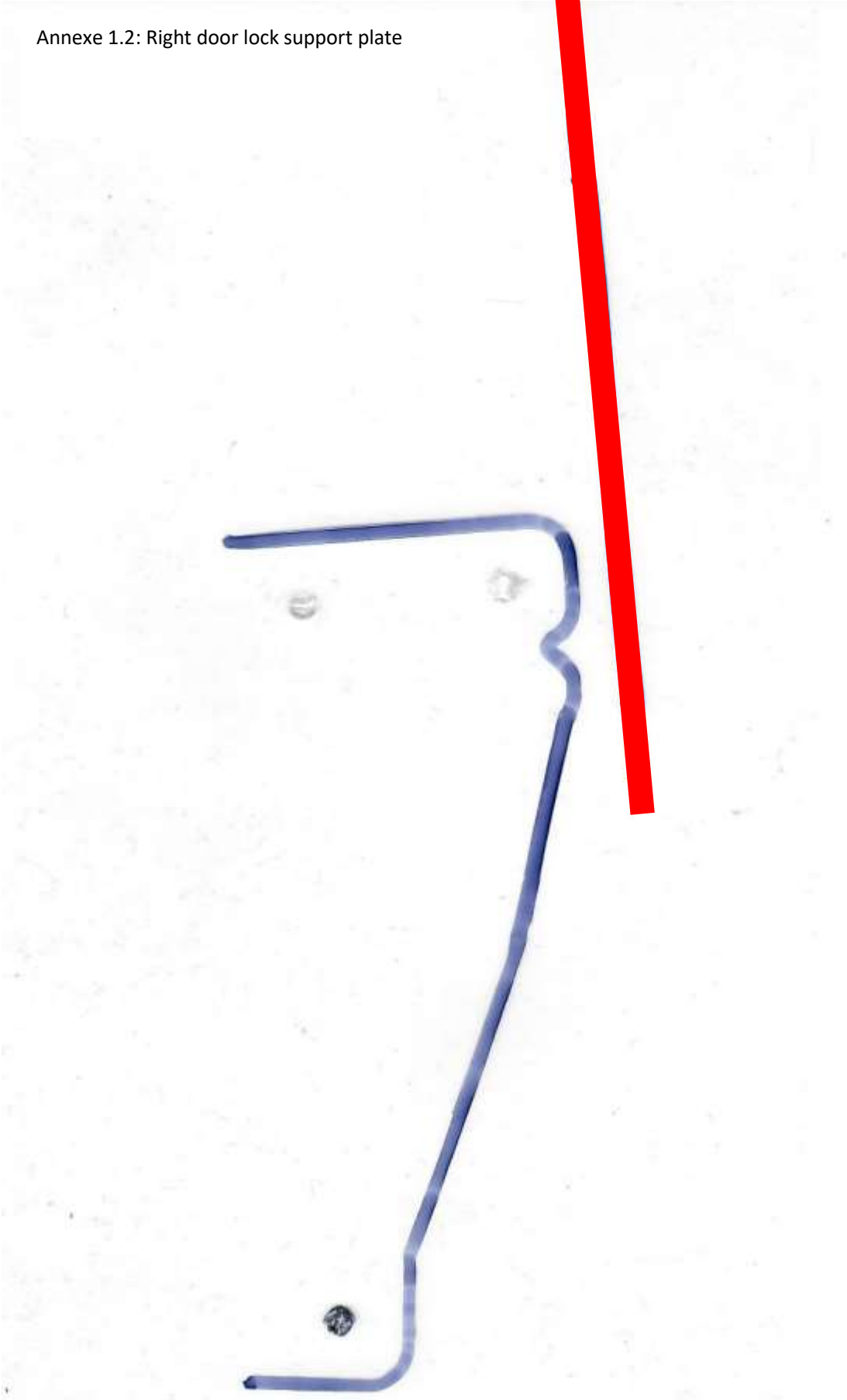




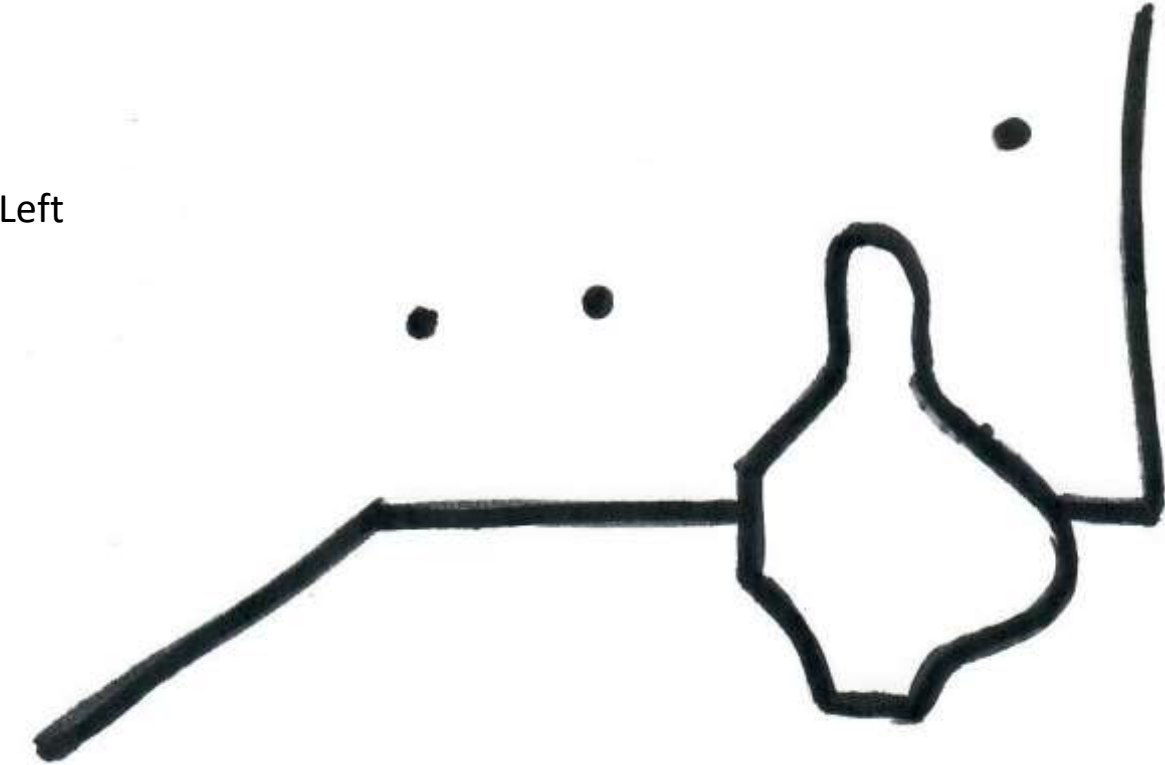
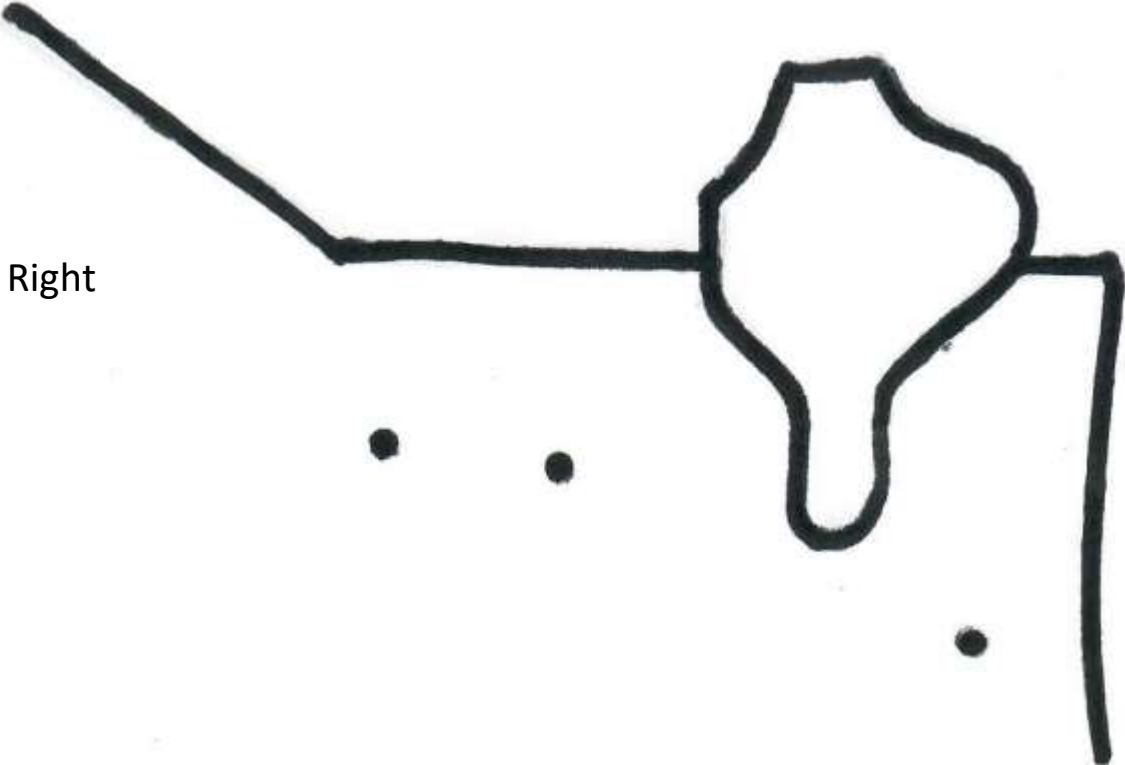
Annexe 1.1: Left door lock support plate



Annexe 1.2: Right door lock support plate



Annexe 2: Tracing paper sheet for lock system holes



Annexe 3: Tracing paper sheet for door damper support bracket

